

# Data Sheet

## WizePanel™ Dispatcher



### Features

- ♦ 10 BASE-T Ethernet connection
- ♦ radio module in 868 MHz ISM band
- ♦ integrated antenna
- ♦ Main Power supply 110 V~ or 230 V~
- ♦ Status LEDs
- ♦ 1 x Button change configuration

### Technical Data

#### Absolute Maximum Ratings

- ♦ Power supply voltage: max. 264V~
- ♦ Power supply frequency Range: 47Hz...440Hz

#### Technical Parameters

- ♦ Power consumption: 5 W
- ♦ Power supply Voltage: 100 V~...230 V~ (+10 %, -15 %)
- ♦ Default IP-address: DHCP can be set to 132.168.1.203
- ♦ Ethernet specification: 10 BASE-T / 100 BASE-TX

### Radio module

- ♦ Frequency: 863 MHz...868 MHz ISM-Band (Industrial, scientific and medical band)
- ♦ Range: Up to 300m with free visibility, lower in buildings depending on circumstances.

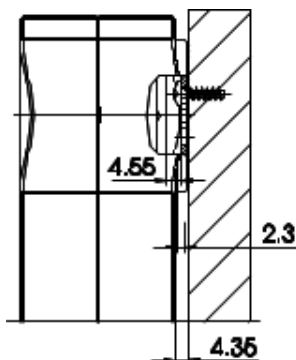
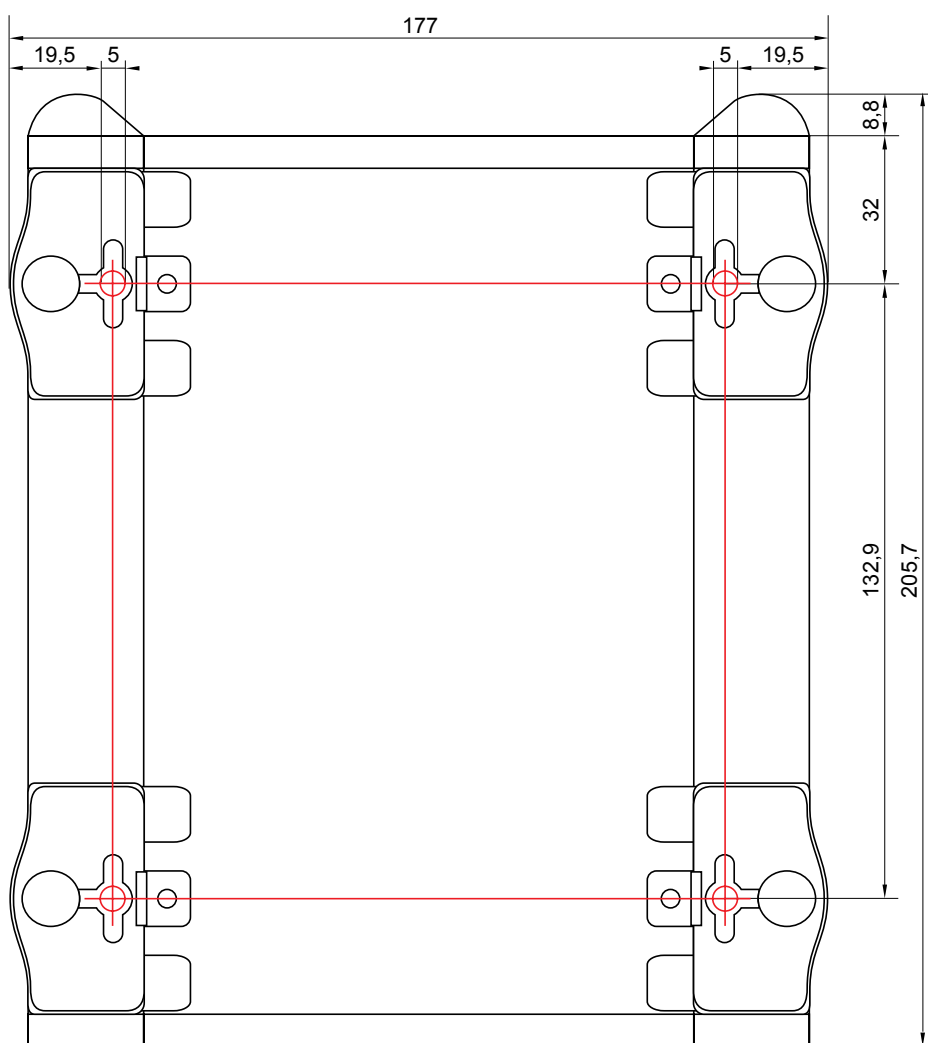
**Dimensions** (in mm): 206 x 174 x 50

# Data Sheet

## WizePanel™ Dispatcher



### Dimensions (in mm)

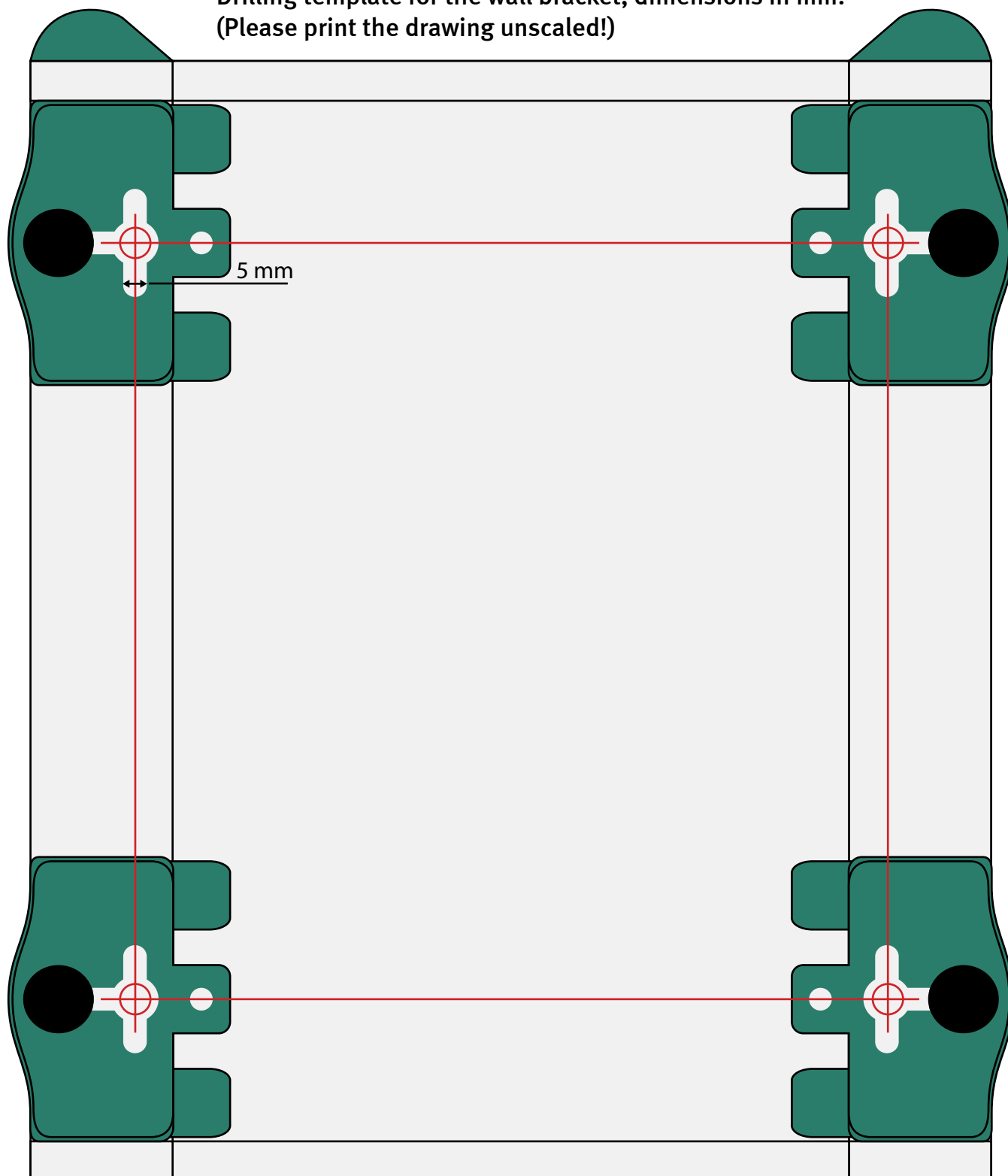


# Data Sheet

## WizePanel™ Dispatcher



Drilling template for the wall bracket, dimensions in mm:  
(Please print the drawing unscaled!)



DATA\_Sheet\_WizePanel\_Dispatcher\_v03\_EN.pdf