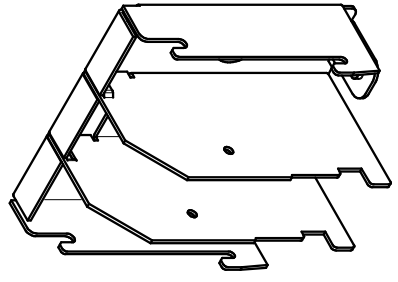
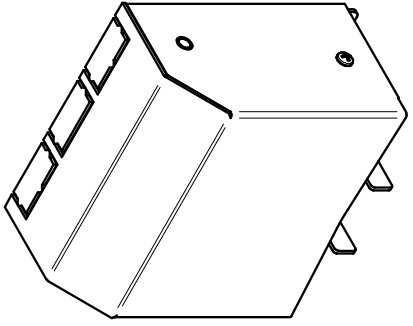


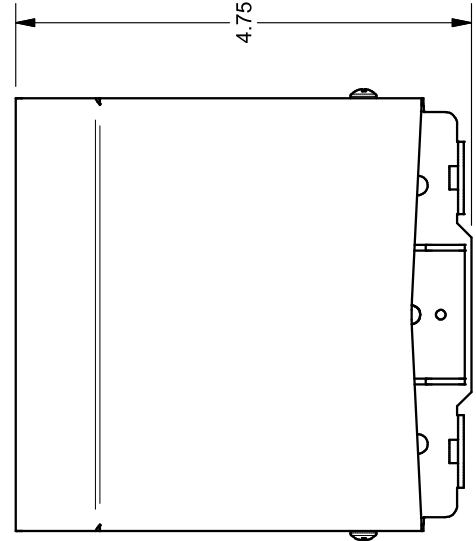
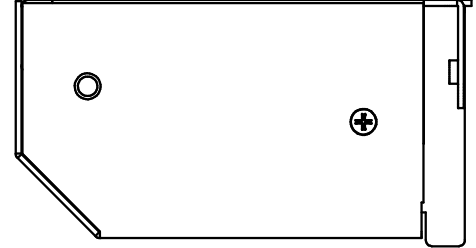
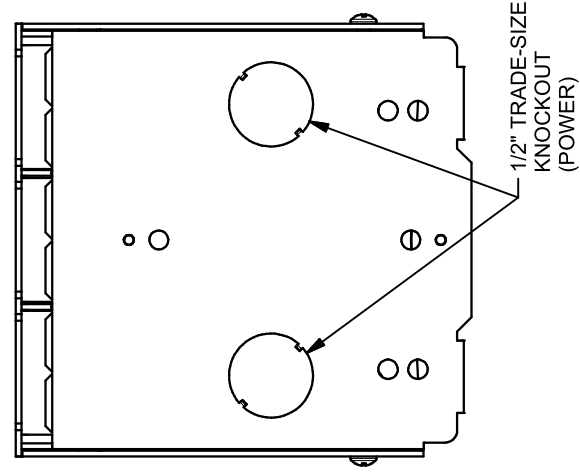
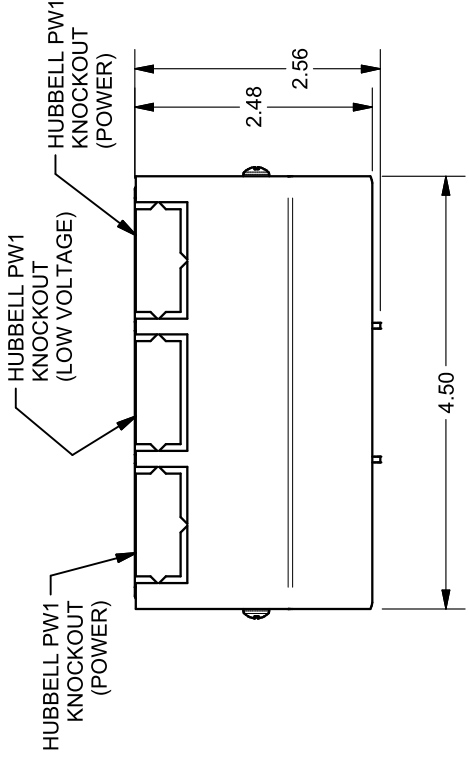
1 2 3 4



WITHOUT COVER



WITH COVER



KIT CONTAINS:

- 1 SMART-WAY WALL FEED BOX
- 1 HUBBELL 1G LOW PROFILE BOX (PW1LPB)
- 1 HUBBELL 1G BOX COVER (KP14)
- 1 HUBBELL FLAT ELBOW (PW1FE)
- 2 HUBBELL 30" WALLTRAK (PW1BC)

**FSR inc.**  
 264 BERGEN BLVD.  
 WOODBRIDGE, NJ 07095  
 TEL (973) 785-4347  
 FAX (973) 785-3318

TITLE: SW-WF-RCWY

DRAWN BY: JRE DATE: 07/22/19 REV: -

DWG#: SW-WF-RCWY SCALE: -

POWER COMPARTMENT VOLUME: 26.5 cu. in.

C B A