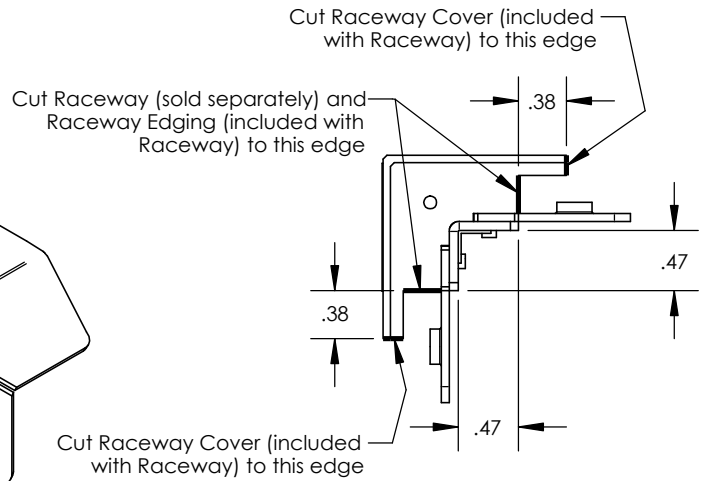
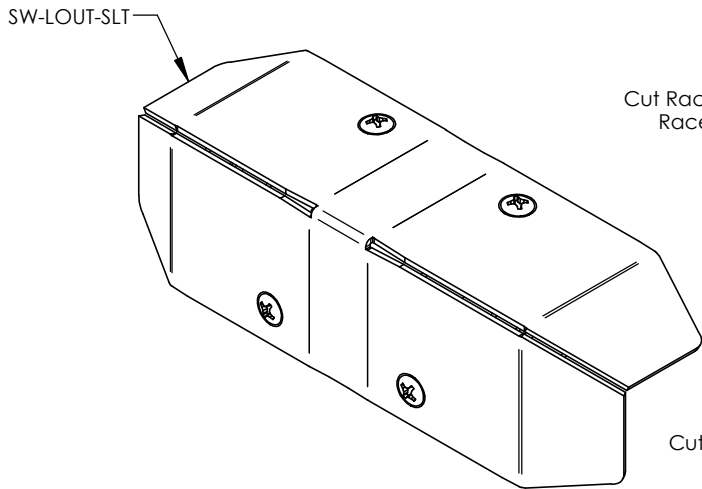


FSR SW-LIN-SLT/SW-LOUT-SLT Installation Instructions

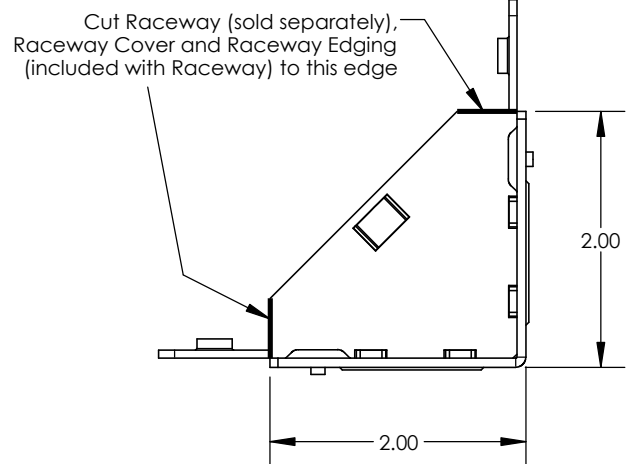
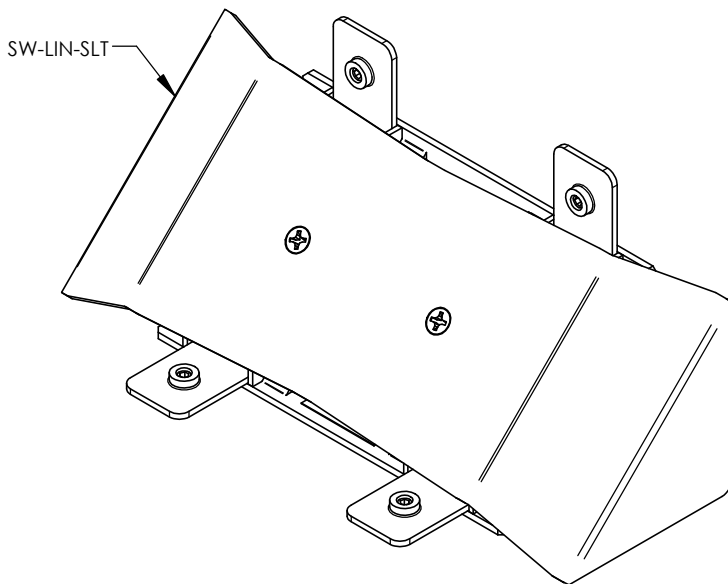
244 Bergen Boulevard, Woodland Park, NJ 07424, Phone: 973.785.4347 - Fax: 973.785.4207

Classification; CTS/DTS 3.102 Flushfloor, 3.103 Onfloor, 6.101.1 Dry-Treatment Only, 6.2.6 10J Impact
6.102.3 1,000 N Small Surface Load, 6.4.1 Non-Flame Propagating
IP41; Min Storage Temp - 25°C; Installation and Application Temp - 15°C to 60°C

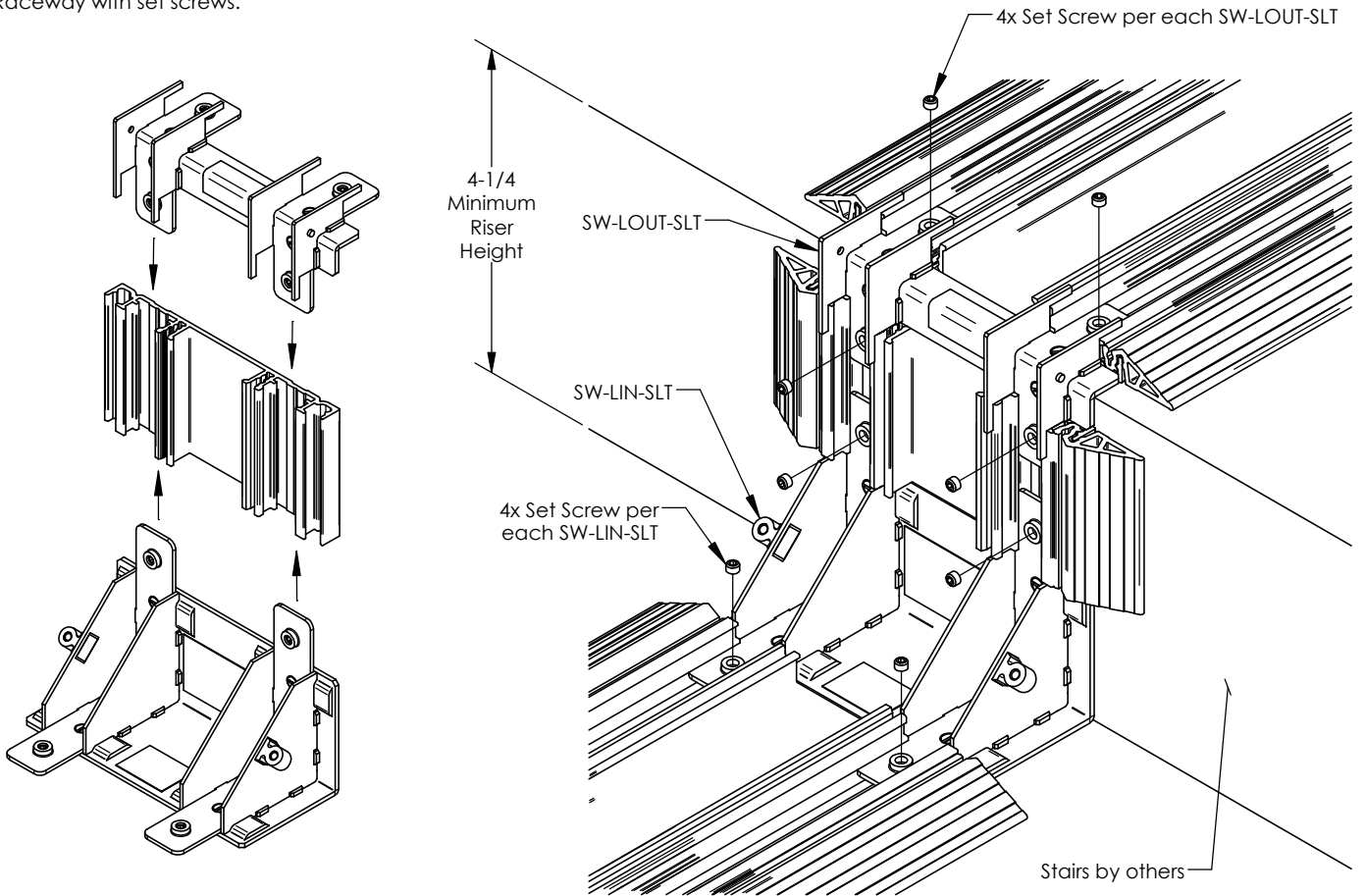
CAUTION: Ensure edge of Raceway Cover is deburred.



Cover not shown

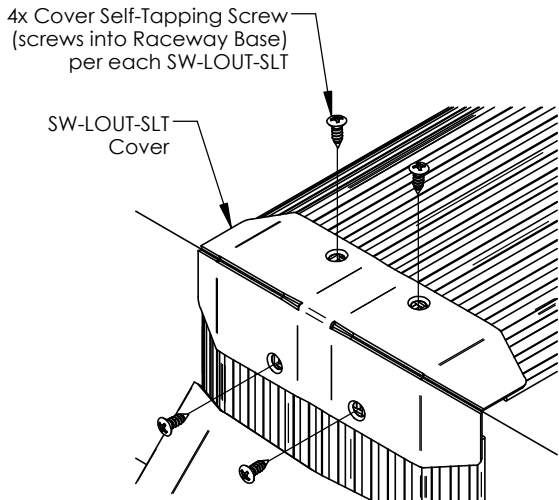


1. Cut Raceway, Raceway Cover and Raceway Edging as required. Secure SW-LIN-SLT and SW-LOUT-SLT to Raceway with set screws.



2. After installing Raceway Covers, secure SW-LIN-SLT and SW-LOUT-SLT Covers as shown.

SW-LOUT-SLT



SW-LIN-SLT

