

KanexPro™

SW-HD5X14K

5x1 HDMI Switcher with 4K Support



Table of Contents

1. Introduction.....	1
1.1. Introduction to SW-HD5X14K.....	1
1.2. Features	1
1.3. Package Contents	1
1.4. Specifications	2
1.5. 5X1 Switch Operation controls and functions.....	3
1.6. Application Example	5
1.7. Remote Control Functions.....	6
2. Warranty.....	7

1. Introduction

1.1. Introduction to SW-HD5X14K

The KanexPro 5x1 HDMI Switcher is a compact five input to one output switch providing 4K ultra-HD resolutions. It is a nippy switcher designed to connect five HDMI sources such as Apple TV, Blu-ray, PS4 or Xbox one to your 4K, HDTV or a projector. Perfect for home theater and pro-sumers looking to connect HDMI based devices to an Ultra-HDTV.

1.2. Features

- Rapidly switch between 5 inputs to one output
- Supports resolutions up to 4K@30Hz
- Full HD 1080p & 1920x1200
- HDCP and EDID Compliant
- Supports all 3D formats
- Ultra-low power consumption, does not require a power supply
- Switch using a manual button or included IR remote
- Supports High Speed HDMI Specifications - (Deep color, HD lossless audio formats & Lip Sync)
- Audio support: Dolby TrueHD, DTS-HD Master Audio 7.1ch
- Supports uncompressed audio such as LPCM and compressed audio such as DTS Digital, Dolby Digital (including DTS-HD and Dolby True HD)
- Front-panel LED's for input/ output signal presence
- Ultra compact design
- 5VDC external power supply included
- IR / Remote control included

1.3. Package Contents

- HDMI 1.4 5x1 Switcher
- 5V USB to DC Power Supply cable
- Remote control
- IR Receive Extend cable
- Operation Manual

1.4. Specifications

Signal Input/Outputs:

- Input DDC Signal: 5 Volts p-p (TTL)
- Input & Output Signal: High Speed HDMI Spec 1.4a

Operating Frequency: Vertical Frequency Range: 50/60Hz

Video Amplifier Bandwidth: 2.95 Gbps per Channel

Resolutions:

- (HDTV) Interlaced (50&60Hz): 480i, 576i, 1080i
- Progressive (50&60Hz): 480p, 576p, 720p, 1080p & 4K@30Hz

IR specs: Input Ports: 5 HDMI Female ports, IR Receive port

Power Requirements:

- Power Consumption: 0.2W
- External Power Supply: 5V DC @ 2A

Regulatory Approvals:

- Converter Unit: FCC, Ce, UL
- Power Supply: UL, Ce, FCC

Environment Operating Temperature:

- Operating Temperature: 0°C ~ 40°C / 32°F ~ 104°F
- Storage Temperature: -20°C ~ 60°C / -4°F ~ 140°F

Dimensions: W 3.0" x D 2.0" x H1.70"

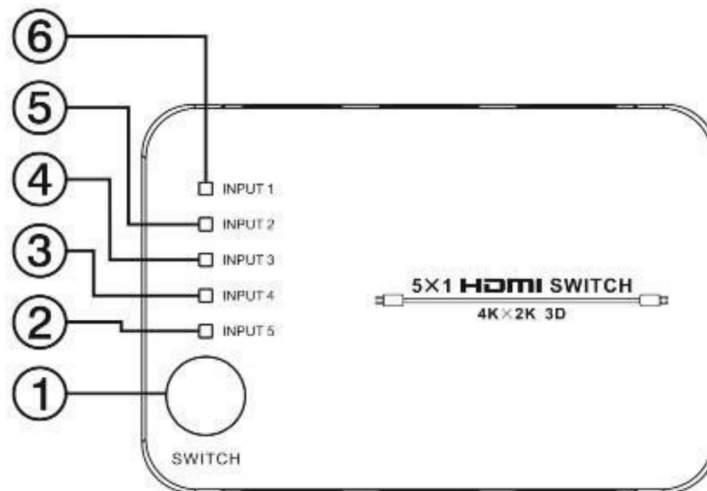
Weight: 1.80 ounces

Warranty: Limited 1-Year Parts & Labor

1.5. 5X1 Switch Operation controls and functions

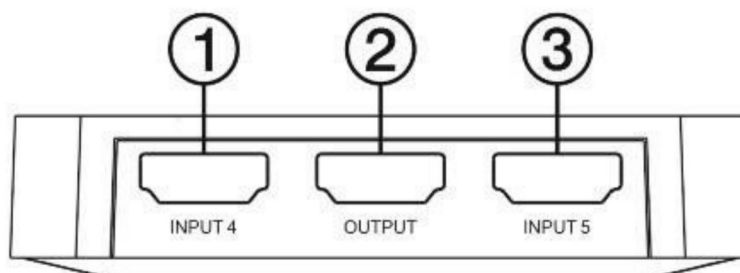
Face Panel: ① Switch button, press this button to switch the input source

②③④⑤⑥ LED indicator; indicates the HDMI input port selected corresponding to the LED light

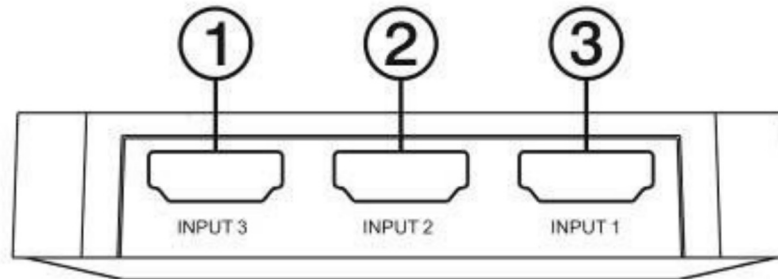


Front Panel: ① ③ HDMI input ports, connect with Blu-ray Player, PS4, Cable Box, Laptop, and Xbox One with HDMI cables

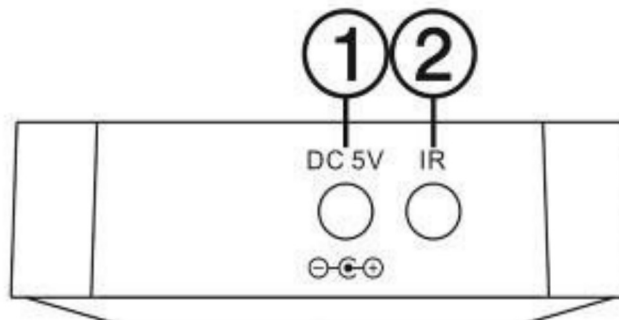
② HDMI output port, connect with 4KHDTV, monitor, or projector with a HDMI cable



Rear Panel: ① ② ③ HDMI input ports, connect with Blu-ray Player, PS4, Cable Box, Laptop, and Xbox One with HDMI cables

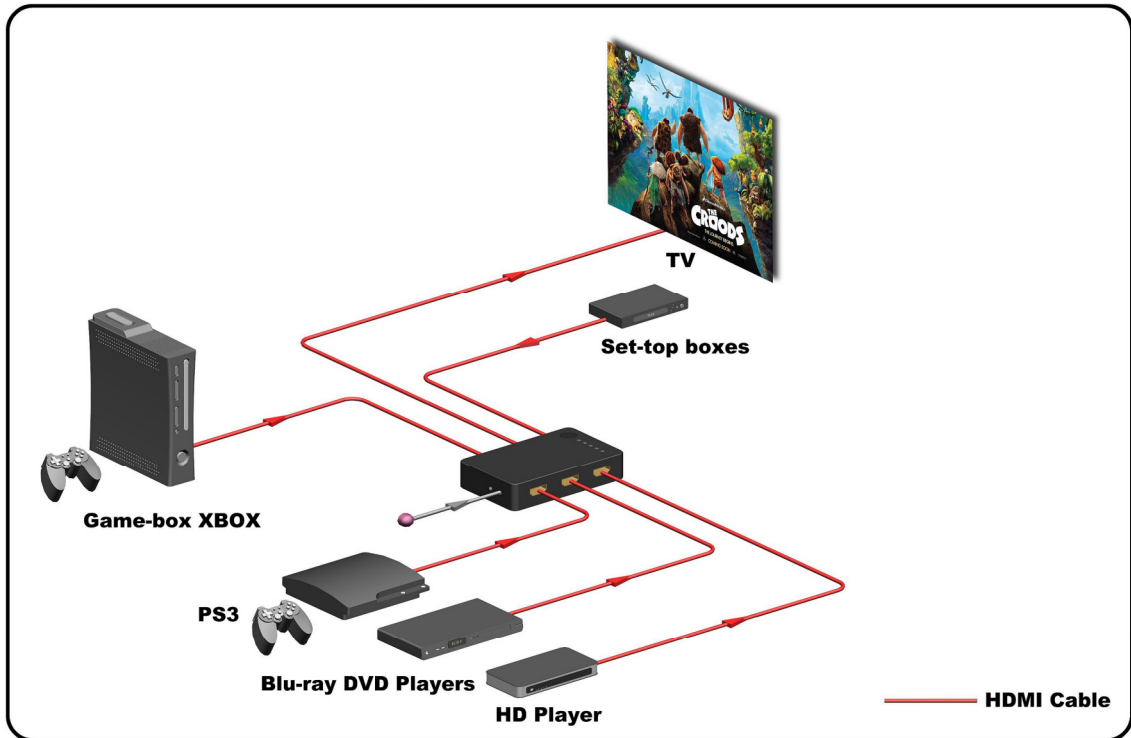


Right Panel: ① DC 5V input port; ② IR receiver port: connect an IR extension cable and receive the IR Remote Signal



1.6. Application Example (5X1 Switch)

Application Example



1.7. Remote Control Functions

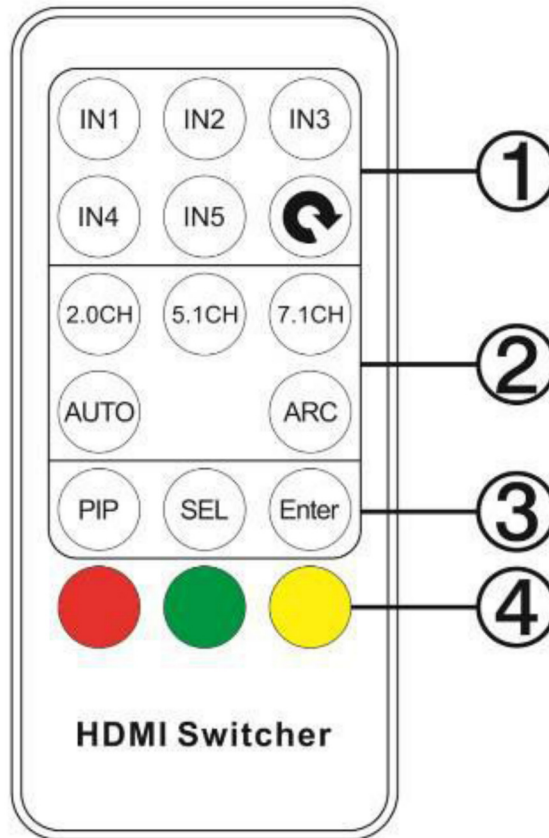
① IN1, IN2, IN3, IN4, & IN5: Press any of these buttons to force switch the input port.

The LED light will indicate the corresponding input source.



: Press this button to cycle switch between the input source(s). The LED light will indicate the corresponding input source.

② ③ ④: These color-coated buttons have no function.



2. Warranty

KanexPro™ warrants that (a) its products (the “Product”) will perform greatly in agreement with the accompanying written materials for a period of 1 year from the date of receipt and (b) that the product will be free from defects in materials and workmanship under normal use and service for a period of 1 year.

B. CUSTOMER REMEDIES

KanexPro’s entire liability and Customer’s exclusive remedy shall be, at KanexPro option, either return of the price paid for the product, or repair or replacement of the Product that does not meet this Limited Warranty and which is returned to KanexPro with a copy of customers’ receipt. This Limited Warranty is void if failure of the Product has resulted from accident, abuse, or misapplication. Any replacement Product will be warranted for the remainder of the original warranty period or 90 days whichever is longer.

C. NO OTHER WARRANTIES

TO THE MAXIMUM EXTENT PERMITTED BY APPLICABLE LAW, KANEX DISCLAIMS ALL OTHER WARRANTIES, EITHER EXPRESS OR IMPLIED, INCLUDING, BUT NOT LIMITED TO IMPLIED WARRANTIES OF MERCHANTABILITY AND FITNESS FOR A PARTICULAR PURPOSE, WITH REGARD TO THE PRODUCT AND ANY RELATED WRITTEN MATERIALS. THIS LIMITED WARRANTY GIVES CUSTOMERS SPECIFIC LEGAL RIGHTS. CUSTOMERS MAY HAVE OTHER RIGHTS DEPENDING ON THE JURISDICTION.

D. NO LIABILITY FOR DAMAGES

TO THE MAXIMUM EXTENT PERMITTED BY APPLICABLE LAW, IN NO EVENT SHALL KANEX BE LIABLE FOR ANY DAMAGES WHATSOEVER (INCLUDING WITHOUT LIMITATION, SPECIAL, INCIDENTAL, CONSEQUENTIAL, OR INDIRECT DAMAGES FOR PERSONAL INJURY, LOSS OF BUSINESS PROFITS, BUSINESS INTERRUPTION, LOSS OF BUSINESS INFORMATION, OR ANY OTHER PECUNIARY LOSS) ARISING OUT OF THE USE OF OR INABILITY TO USE THIS PRODUCT, EVEN IF KANEX HAS BEEN ADVISED OF THE POSSIBILITY OF SUCH DAMAGES.

KanexPro™

Brea, California

KanexPro.com

MPN: SW-HD5X14K