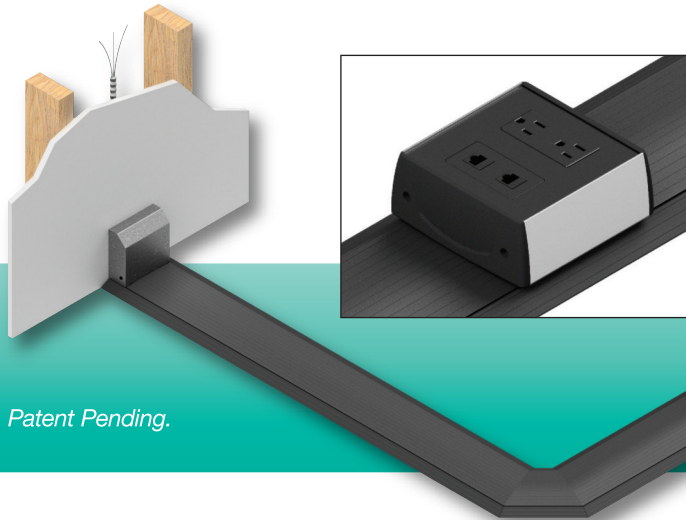


# SMART-WAY RACEWAY SYSTEM



Patent Pending.

# FSR

Power Products Group



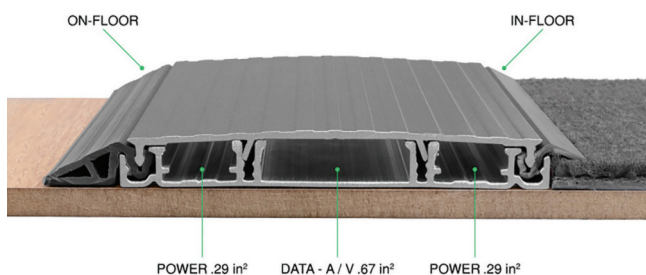
## DESCRIPTION

The Smart-Way Raceway System is the intelligent choice for wire management. **It is now configurable for either on top of (vinyl, carpet, wood) or in any flooring (carpet, wood, tile, laminate) with the provided edging.**

The Smart-Way Raceway gets cables where they're needed. The Raceway is intended for offices, conference rooms, collaborative work environments, classrooms or anywhere wire management is desired. The Raceway compartments provide ample space for power, communications and A/V connectivity with the capacity to hold (14) 12 AWG (.130" diameter) power conductors, and (9) CAT 5E (.215" diameter), or (5) CAT 6A (.250" diameter) data cables.

The Smart-Way is only 0.6" high, ADA compliant, available in slate gray or aluminum finishes and is sold in 6' sections. Its design includes centering V-grooves in the track to locate pilot/clearance holes for securing fasteners. Optional Elbow Kits are available to make 45 or 90-degree angles that will not compromise the minimum bend radius of the cables.

It's the most cost-effective and easiest way to get your power, data and AV across the room to where you really need it.



## FEATURES

- One Raceway, Dual Purpose
- Installs on top of or in any flooring for a quick installation
- Ultra-low profile
- ADA compliant
- Competitive pricing
- Raceway compartments provide ample space for power, Communications, and A/V requirements
- The Smart-Way System has several device box options to choose from when deciding on your connectivity needs
- Sold in 1', 3', 6' sections or in a 1'2'3' saw-less installation kit
- Available in slate gray or aluminum finishes
- Optional elbow kits for making 45 or 90-degree angle turns which will not compromise the minimal bend radius of wire
- Perfect for offices, conference rooms, collaborative work environments, classroom and anywhere wire management is needed with access to power and data

## FSR Inc.

244 Bergen Boulevard, Woodland Park, NJ 07424

Phone: 973.785.4347 · Fax: 973.785.4207

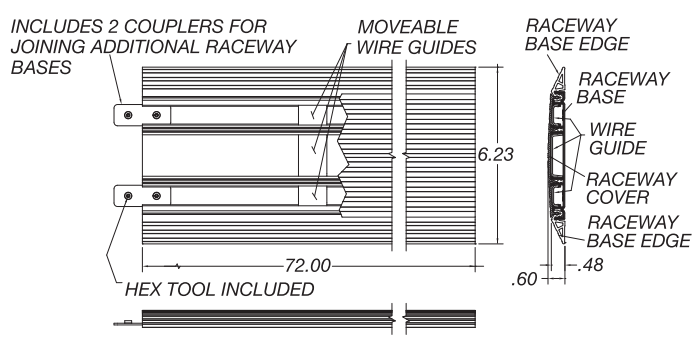
Web: [www.fsrinc.com](http://www.fsrinc.com) · E-mail: [sales@fsrinc.com](mailto:sales@fsrinc.com)

LIT1749E

## Smart-Way Raceway Lengths

One end stop is required at the end of the Raceway.

18203	SW-T72-ALM	72" Raceway Aluminum
18204	SW-T72-SLT	72" Raceway Slate Gray
18297	SW-T36-ALM	36" Raceway Aluminum
18298	SW-T36-SLT	36" Raceway Slate Gray
18299	SW-T12-ALM	12" Raceway Aluminum
18300	SW-T12-SLT	12" Raceway Slate Gray
18301	SW-T123-ALM	1', 2', 3' Saw-less Installation Kit
18302	SW-T123-SLT	1', 2', 3' Saw-less Installation Kit

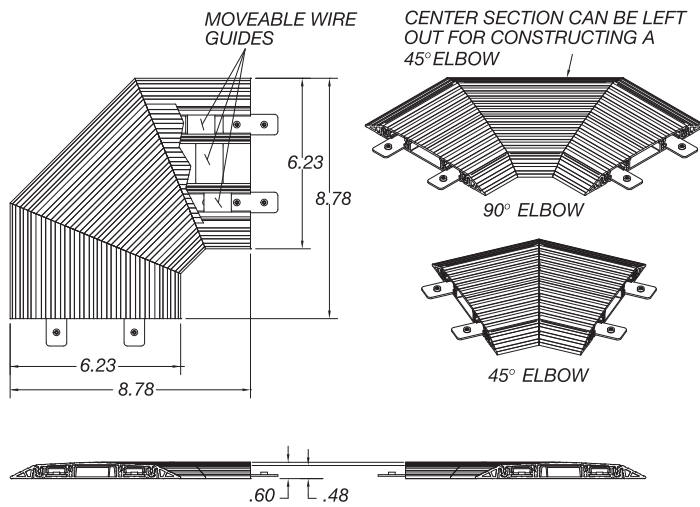


Each 6' section includes a base and cover, two couplers, moveable wire guides, raceway base edges, and a hex tool for installation. Additional Raceway lengths are available in 3-foot, 1-foot and a three part (1', 2', 3') saw-less installation kit.

## Smart-Way Corners and Fittings

18207	SW-L90-ALM	90° Corner Aluminum
18208	SW-L90-SLT	90° Corner Slate Gray
18303	SW-L45-ALM	45° Corner Aluminum
18304	SW-L45-SLT	45° Corner Slate Gray

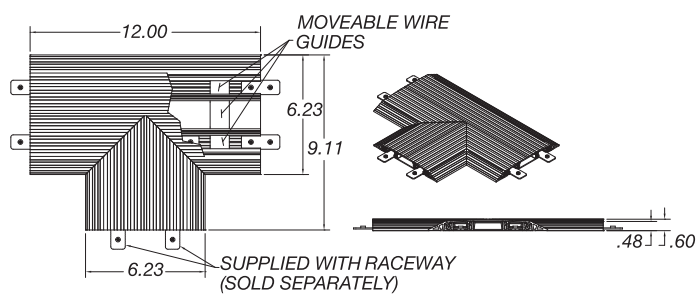
The Smart-Way corners now come in either a 45° or 90° corner. Both corners are available in aluminum and slate gray. The corner kits transition the cables seamlessly around a corner without compromising the minimal bend radius.



## Smart-Way Fitting Tee

18305	SW-TEE-ALM	2 Part Tee
18306	SW-TEE-SLT	2 Part Tee

The two part tee allows cables to go in both directions to reach the required destination without any complications.

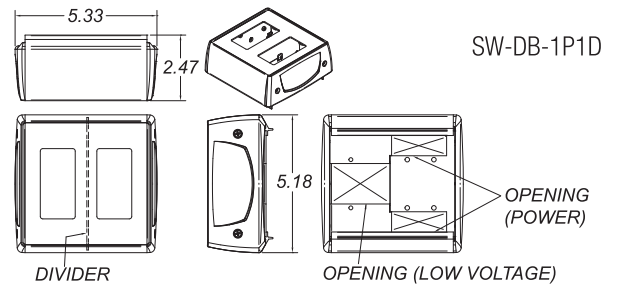


Visit [www.fsrinc.com](http://www.fsrinc.com) for detailed drawings and installation documents.

## Smart-Way Device Boxes

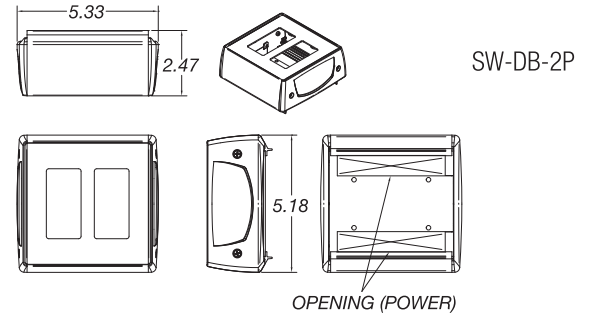
### 18211 SW-DB-1P1D

2 gang device box with 1 power and 1 low voltage Decora opening, the divider is not removable.



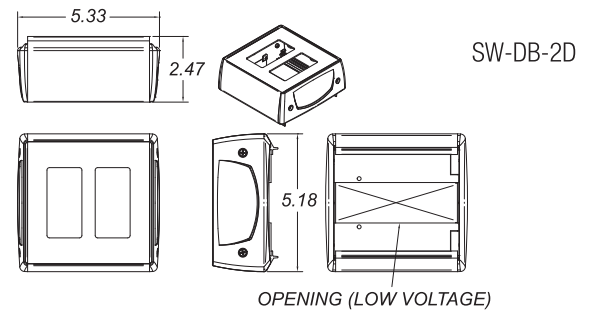
### 18212 SW-DB-2P

2 gang device box with 2 power Decora openings (NEMA spacing). Accesses the 2 outer channels only.



### 18213 SW-DB-2D

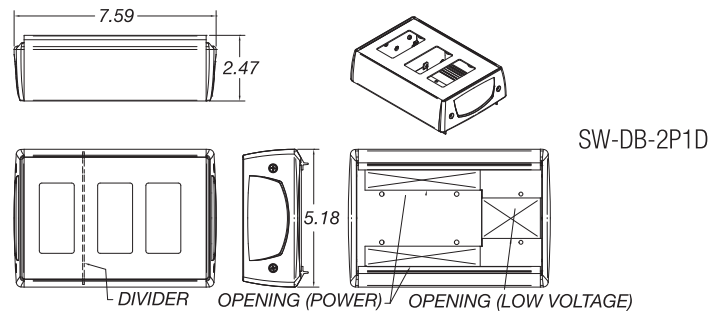
2 gang device box with 2 low voltage Decora openings (NEMA spacing). Accesses the inner channel only.



Visit [www.fsrinc.com](http://www.fsrinc.com) for detailed drawings and installation documents.

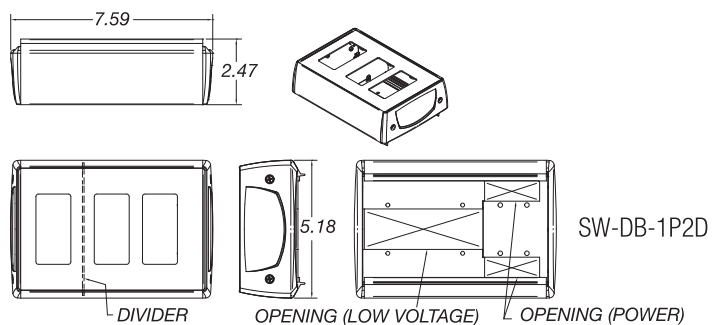
### 18214 SW-DB-2P1D

3 gang device box with 2 power and 1 low voltage Decora opening. The two power openings have NEMA spacing. The compartments access the appropriate track channels, can't be interchanged, and the divider is not removable.



### 18215 SW-DB-1P2D

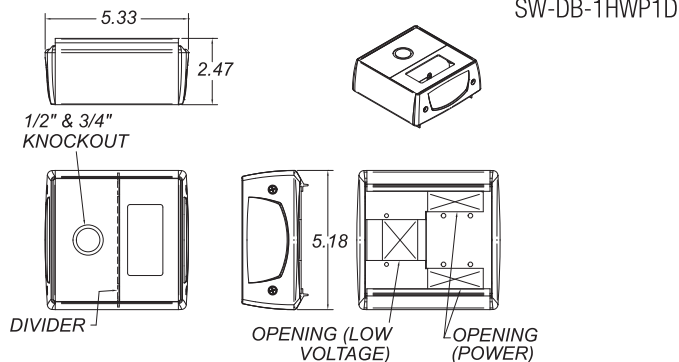
3 gang device box with 1 power and 2 low voltage Decora openings. The two low voltage openings have NEMA spacing. The compartments access the appropriate track channels, can't be interchanged, and the divider is not removable.



## Smart-Way Device Boxes (cont'd)

18216 SW-DB-1HWP1D

2 gang device box with 1 gang power - 1 1/2" & 3/4" KO - and 1 gang low voltage Decora opening.

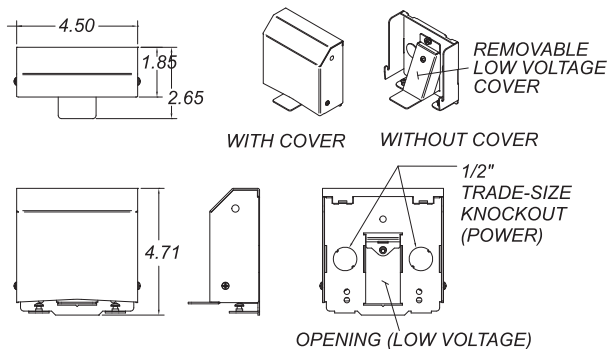


## Smart-Way Wall Feed Boxes

18217 SW-WF-LP-ALM

18219 SW-WF-LP-SLT

Wall feed for 1 or 2 circuits of power and low voltage feed through.



18218 SW-WF-HP-ALM

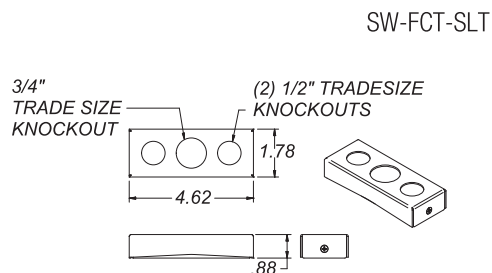
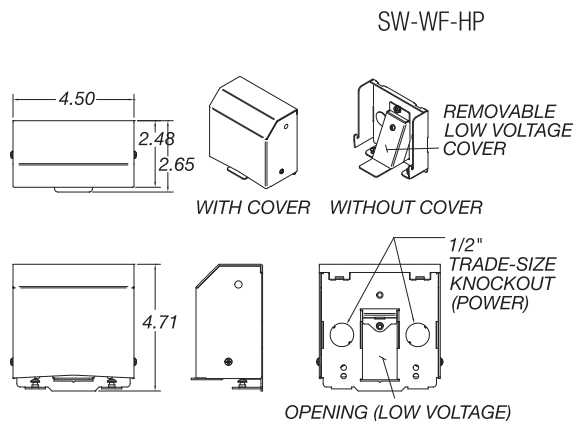
18220 SW-WF-HP-SLT

18317 SW-WF-RIN Wall Feed Rough In Box (New Construction)

18320 SW-FCT-SLT Raceway to Flexible Metal Conduit Transition

18326 SW-PKF-SFIT4 Raceway Feed from 4" Poke Through (Poke-through not included)

Wall feed for 2 or more power circuits and low voltage feed through.



Visit [www.fsrinc.com](http://www.fsrinc.com) for detailed drawings and installation documents.

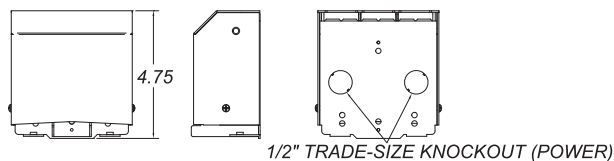
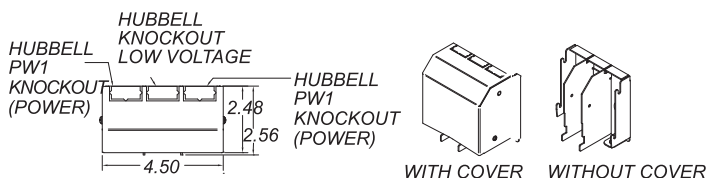
## Smart-Way Wall Feed Kit

18221 SW-WF-RCWY-ALM

18222 SW-WF-RCWY-SLT

Kits contains:

- 1 Smart-Way Wall Feed Box
- 1 Hubbell 1G Low Profile Box (PW1LPB)
- 1 Hubbell 1G Box Cover (KP14)
- 1 Hubbell Flat Elbow (PW1FE)
- 2 Hubbell 30" Wall Track (PW1BC)



Smart-Way Raceway wall feed kit, closeup.



Smart-Way Raceway with wall feed kit, power and data.

## Smart-Way Installation Accessories

18206 SW-END-SLT Raceway End Stop - Slate  
\*Required at the end of the raceway, must order with system.

18307 SW-STRC-6 6 pack of extra couplers

18308 SW-CCEF-SLT Center Channel End Feed (same as stick end)

18321 SS-BRSH-BLK Brush Insert for Decora Opening

18277 SW-CVR-TOOL Smart-Way Cover Removal Tool

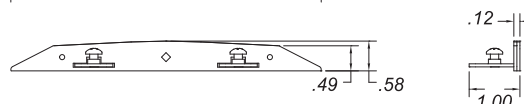
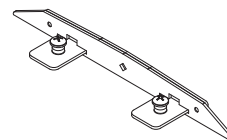
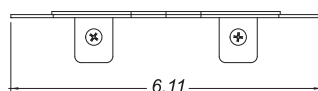
18327 SW-TPE-NO No Transition Flush Plastic Edging

18318 SW-DB-2GEXT 2-Gang Device box Extension (1")  
(Device Box Not Included)

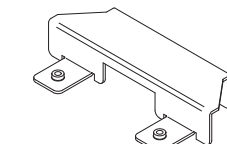
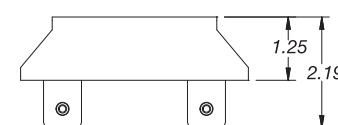
18319 SW-DB-3GEXT 3-Gang Device box Extension (1")  
(Device Box Not Included)

18322 WM-CP-BCKMT Cable Path from Table to Smart-Way Device Box

18206

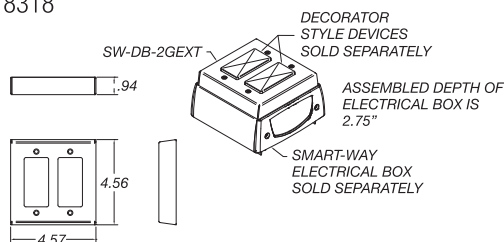


18308

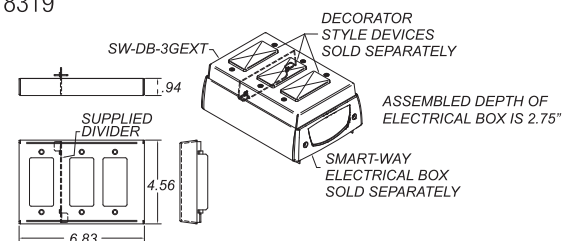


FOR USE WITH THE SMARTWAY RACEWAY.

18318



18319



**INSTALLS ON TOP OF ANY FLOORING**



**Classrooms**



**Collaboration Spaces**



**Training Centers**



**Office Work Spaces**



**Conference Rooms**



Specifications are subject to change without notice.

**FSR Inc.**

244 Bergen Boulevard, Woodland Park, NJ 07424  
Phone: 973.785.4347 · Fax: 973.785.4207  
Web: [www.fsrinc.com](http://www.fsrinc.com) · E-mail: [sales@fsrinc.com](mailto:sales@fsrinc.com)