

Modular redundant mini optical receiver with monitoring and remote control module



MOB-729



MOB-729 is a modern modular receiver dedicated to the FTTH networks, featuring one or two redundant optical inputs. The receiver has an electronic uninterruptible adjustment. A built-in AGC system maintains the RF signal at a high stable output level.

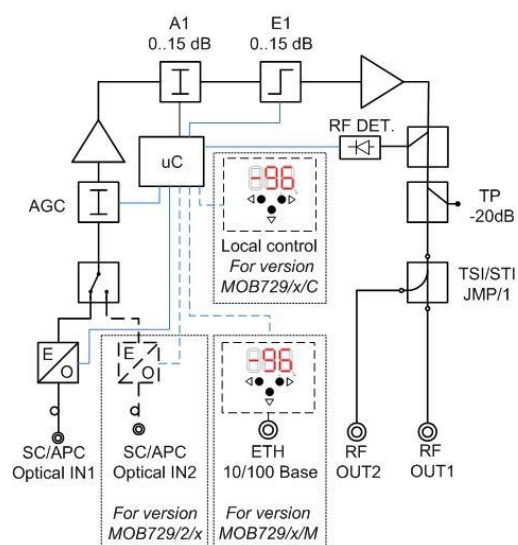
Depending on the version, the **MOB-729** is controlled from the local keyboard (a hot-swap module). The monitoring module allows remote control via an RJ45 interface using the SNMPv2C standard and a built-in website.

Depending on the used plugin, the receiver can support one or two "F"-type RF outputs. The built-in monitoring module also allows remote changing of output levels, setting the alarm thresholds and switching the redundant inputs, as well as monitoring the output level thanks to the integrated RF detector.

The device is available in a single-input version (**MOB-729/1**) and double-input version (**MOB-729/2**). It can be equipped with both the monitoring module **M-729** and the local manipulator **C-729**.

- Dedicated to the FTTH architecture
- Uninterruptible electronic adjustment
- Modular design
- Redundancy for double-input version
- Monitoring via SNMPv2c and WWW interface
- Independent switching hysteresis control for each optical input, with alarm threshold setting
- Measurement of the RF output signal
- GaAs Power Doubler technology
- Local power supply (180-253V AC)

BLOCK DIAGRAM



Technical parameters may change without a previous notice.

www.telmor.pl

TECHNICAL PARAMETERS

PARAMETRES		MOB-729
OPTICAL PARAMETERS		
Input level range (P _{IN})	dBm	-10...+3
AGC range	dBm	-6...0
Optical return-loss	dB	≥ 40
Optical input wavelength	nm	1100...1650
Maximum input level	dBm	+3
Optical power indicator	/	electronic 3xLED, accuracy +/- 0,1 dBm
Equivalent input noise current	pA/√Hz	6,5
Optical connector	/	SC/APC
FORWARD PATH		
Frequency range	MHz	47...862
Flatness	dB	±0,75
Output level (CENELEC 42) 1310nm@ -3dBm EQ=9dB, 3,5% OMI, AGC OFF, CTB ≤ 60dBc, CSO ≤ 60dBc	dBμV	114
Interstage attenuator	dB	electronic: 0..15
Interstage equalizer	dB	electronic: 0..15
Output test point	dB	-20 ±1
Return loss at RF output	dB	≥ 18 (40MHz) -1,5dB / okt.
OTHERS		
Power supply (local)	V _{AC} / Hz	180...253 / 50-60
Power consumption	W	13,5
Output connector	/	2xF
Protection class	IP	IP41
Operation temperature range	°C	-20..+55
Weight	kg	1,1
Dimensions	mm	107x155x75
Package	/	box

MONITORED PARAMETERS ⁽¹⁾	READ/ WRITE
Input level (Pin)	R / -
Hysteresis of optical input switching (Pin _{min} / Pin _{max})	R / W
Input selection (A/ B/ preferred A/ preferred B)	R / W
Output level RF (Pout)	R / -
RF output power alarm (RF _{min} / RF _{max})	R / W
Temperature (T)	R / W
Temperature alarm (T Min/ T Max)	R / W
Attenuator adjustment (A)	R / W
Equalizer adjustment (Eq)	R / W
Location (GPS coordinates)	R / W
AGC settings	R / W
Identification (type, model, SN, MAC)	R / -
Identification (type, model, SN, MAC)	R / W
Power supply	R / -
Tamper	R / -

⁽¹⁾ For more information on control and monitoring see datasheet *MOB-729 MODULES*

Device configuration

MOB-729 / x / x

where:

x – number of optical inuts

(1) – one

(2) – two

x – designation of the type of control

(M) – M-729 monitoring board

(C) – C-729 led module with keyboard

Technical parameters may change without a previous notice.

www.telmor.pl