



KanexPro Active Fiber High Speed HDMI Cable

Connect an HDMI enabled source to a projector, distribution amplifier, extender, or to any high performance display with this long length active fiber (AOC) HDMI cable.

MPN: CBL-HDMI AOC 20M
CBL-HDMI AOC 30M
CBL-HDMI AOC 50M



KanexPro Active Fiber (AOC) High Speed

HDMI Cables let you connect an HDMI source, distribution amplifier, extender or computer to an HDMI enabled display. These plenum (CMP) rated cables are available in the right lengths ideal for running through walls, between floors, and in plenum air spaces and top performance is a must.

Next generation active optical HDMI cables designed for next generation 4K UHD with HDR content, the KanexPro active fiber HDMI cable delivers uncompressed full bandwidth 18Gbps HDMI content up to 50m/164ft using the latest transmission technology whilst supporting additional HDMI features such as CEC and ARC. Delivering 18Gbps of bandwidth means that these cables are guaranteed to work with all modern 4K equipment. AOC HDMI Cables should be your only choice for all your 4K and High Speed HDMI display needs.

Fiber Optic HDMI Cables are the future of the technology because they are immune to external interference caused by electrical and radio devices. Interference is the main cause for poor performance with HDMI signals. By using high performance optical transceivers in each connector, the electrical HDMI signal is converted to a light signal that can reach up to 150ft. with 0% loss of signal quality. The KanexPro AOC HDMI fibers are constructed by a high quality military grade polymer that is more durable than glass based fiber allowing for integrators and installers to use these cables in the same manner that they would a traditional copper cable. Backed by KanexPro's 3 Year warranty, rest assured that this cable will provide years of flawless 4K performance.

FEATURES

- HDMI® AOC- Active optical cable - 30m
- Uncompressed optical transmission of 18Gbps HDMI content at 4K/60 4:4:4 or HDR at 60Hz
- Bandwidth up to 18Gbps (6Gbps per channel)
- Supports all the features contained in the HDMI 2.0 specification
- Optical fiber cable is ideal for use in environments with excessive EM or RF interference
- Gold plated connectors prevent corrosion for when deployed on long term projects
- Plenum (CMP) fire safety rating makes it safe for use in the Plenum air duct spaces of commercial and residential buildings
- Supports HDR, HDR10, HLG and DolbyVision dynamic range picture modes.
- Supports HD Multichannel audio up to DTS:X and Dolby Atmos
- Supports SA-CD, DVD-Audio, DTS-HD Master Audio™, Dolby TrueHD™, and other high-definition audio standards
- Supports Deep Color, up to 16-bits per channel, including Sony's x.v.Color™ standard
- Supports extended CEC (Consumer Electronics Control) commands and functions, the HDMI Ethernet Channel, and the Audio Return Channel features
- ARC and CEC enabled for true native HDMI communication
- Supports HDCP 2.2 content encryption
- Reliable data transfer with 0% signal loss
- No external power required
- Flexible polymer optical cable
- Ultra-light weight construction
- EMI/RF free for clear signal transmission
- Low power consumption
- Compatible with Apple TV 4K, MacBook, Media Players, Distribution Amplifiers, Extender, Converters, Gaming Systems, Xbox One, PlayStation 4, PCs, and HDMI enabled device.
- Available in lengths of 20m, 30m and 50m

SPECIFICATIONS

Bandwidth: 18Gbps

Color Depth: 1080p: 16bit | 4K UHD: 8bit | HDR @24p: 10bit BT .2020

Maximum Pixel Clock: 600MHz

Audio Return Channel (ARC): Supported

Connector Dimensions: 41mm x 20.7mm x 11.05mm

Cable Length: 20M (65ft) 20,000mm +/- 200mm

Cable Length: 30M (98ft) 30,000mm +/- 200mm

Cable Length: 50M (164ft) 50,000mm +/- 200mm

Cable Construction: PVC Jacket, Aluminum Connector

Power Supply: Passive 5V DC 1A | 4.5v-5.5v VCC (No external Power needed)

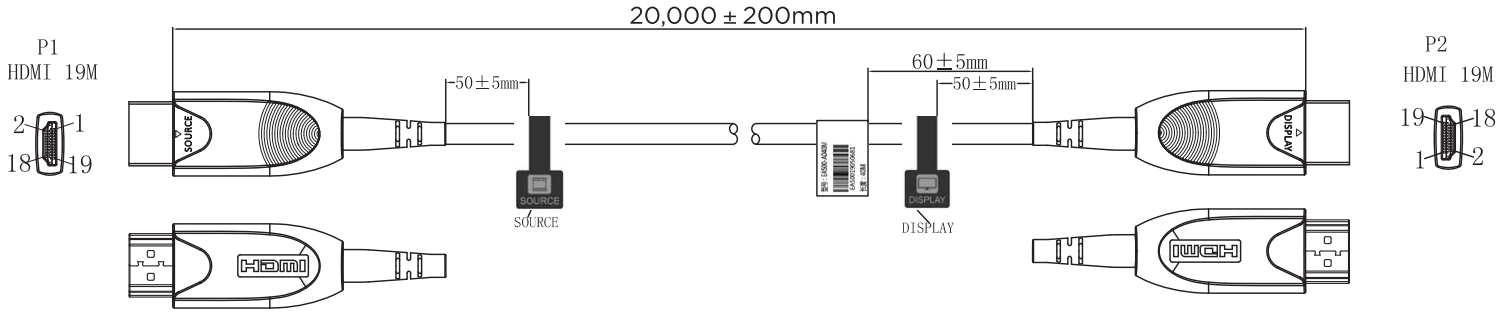
Max Power Consumption: 250mW

Safety and Emission: CE | FCC | RoHS

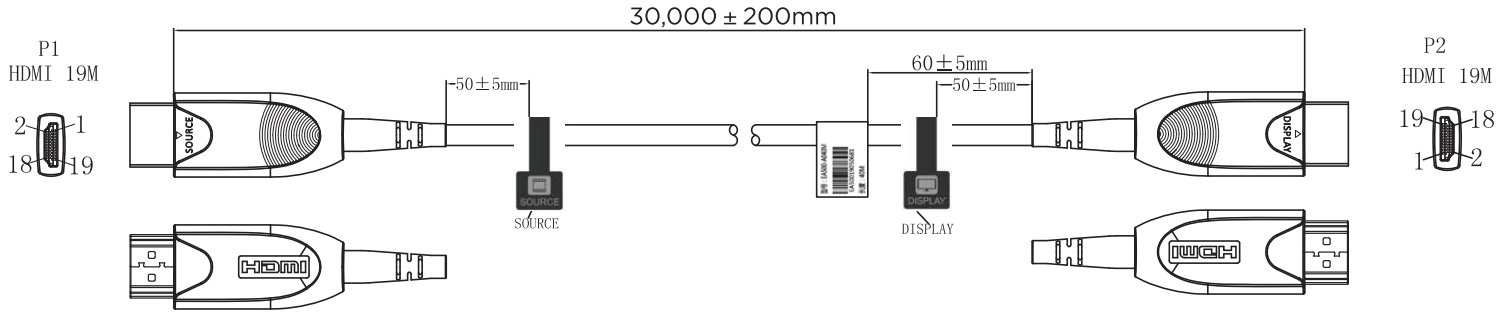
Ratings: CMP Plenum Rating

APPLICATION DIAGRAM

20M (65FT)



30M (98FT)



50M (164FT)

