

Mini 3-input Audio Amplifier with Mic Mixer

40 Watt Power Amp supporting 70V or 100V

MPN: AP3DBL



The KanexPro AP3DBL

is a 3-Input 40-Watt audio amplifier supporting 70V or 100V. It comprises of 3 switchable inputs (RCA, 3.5mm and TOSLINK) for quick switching and sound reproduction. The audio amplifier supports MIC mixing and EQ control perfect for classrooms, conference rooms, lecture halls and restaurants.

FEATURES

- Fast switching 3 audio inputs (1 digital, 2 analog)
- One 3-level MIC input with mixer function
- 40 Watt amplifier output at 70V or 100V
- Ducking function for auto detect
- ID loop for RS232 looping control
- Adjustable volume with Bass & treble
- Locking power supply
- Control via front panel, RS232 & IR control
- Supports Dual-mono output
- Built-in Microphone mixer (separately controllable)
- Line audio output, with volume controllable.
- MIC input supports 48V phantom power
- Supports balanced/ unbalanced signals
- Ultra low inrush current
- Convection cooled, antistatic case design
- LED indicator, for power and operating status
- IR remote & sensor included
- Internal Universal power adaptable (100-240 volt AC, 50/60Hz)

SPECIFICATIONS

Audio Input

- 2 x stereo audio (RCA, 3.5mm)
- 1 x digital audio (TOSLINK)
- 1 x MIC (captive screw connector)

Audio Output

- 1x mono amplifier (3-pin captive screw connector)

Output Type: 40W, 70V or 100V

Input Impedance for Inputs 1&2: >10Kff

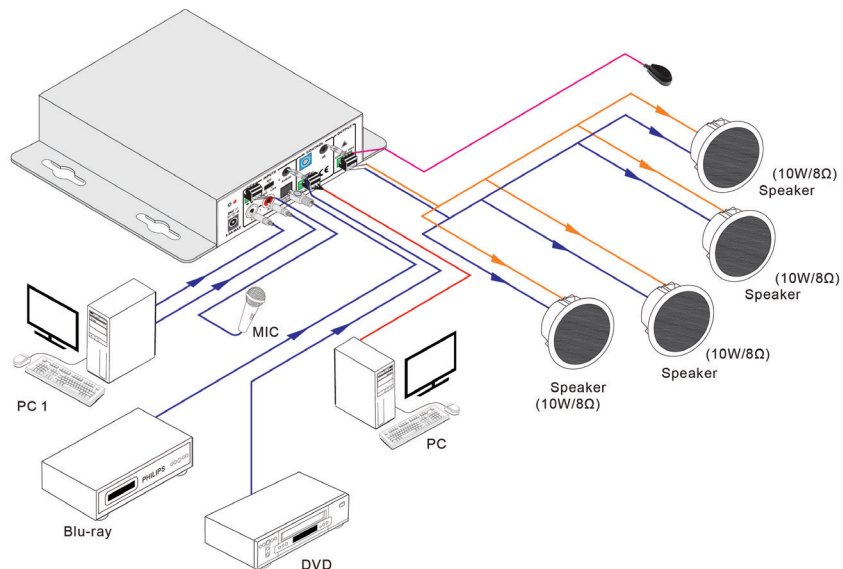
Output Impedance: 50ff/stereo, 4-8ff/Amplifier

Frequency Response:

- Input: 120Hz - 20KHz
- Output: CMRR >70dB@20Hz-20KHz

Signal to Noise Ratio: 80dB at maximum output

Bandwidth: 120Hz - 20KHz



ABOUT KANEXPRO

KanexPro carries a broad selection of A/V connectivity products by leveraging the core strength in professional systems enabling you to broadcast, convert, extend, split, or multiply HD signal transmissions; simply and cost-effectively. KanexPro is a trademark. HDMI, the HDMI logo, and High-Definition Multimedia Interface are trademarks or registered trademarks of HDMI Licensing, LLC in the United States and/or other countries. All other product or service names are the property of their respective owners.