



LUX-UP shelf

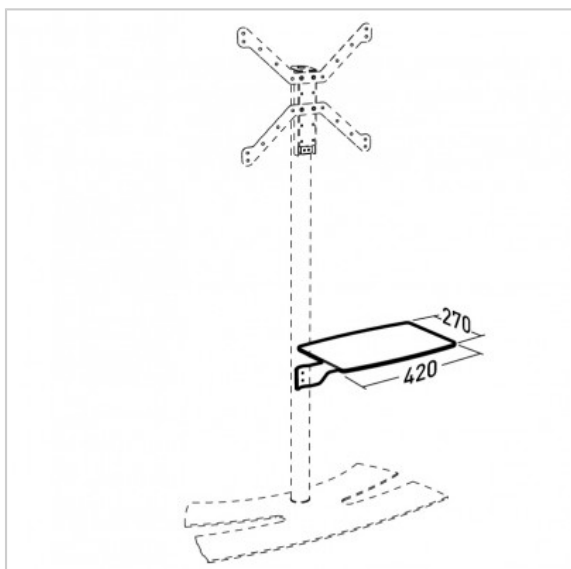
Ref. : 038400

EAN : 3 185280384006

Shelf for a peripheral

TECHNICAL SPECIFICATIONS

Product type	Accessories
Max weight	5
Material	steel + tempered glass
Finish	chromium epoxy painting + glass
Cable Management	No
Installation time	5
Persons for mounting	1



- Shelf made of 6 mm tempered glass
- Max weight 5 kg
- Positionned to the right of the mast