

BPEO Fibre Closure Size 2 End Distribution Point for up to one express cable and up to 12 branch cables. Organiser holds up to 30 splice trays

CORNING

Part Number:
B2-EDP-0000-000-000-0000

Fibre Closures BPEO are designed with flexibility in application in mind. Available in a range of sizes, they can be deployed above grade (pole, facade) or below grade (manhole, handhole). These closures can be used for fibre-to-the-home (FTTH) deployments and any type of optical fibre cable deployment in the outside plant. Mechanical and tool free: Easy to re-enter and close; integrated sealing gasket keeps water out. The built-in seals of the BPEO in conjunction with the latch mechanism ensure that the closure remains watertight even after frequent use. The sealing gasket requires no replacement and no addition of sealant material, even after several open/close operations.

Features and Benefits

Fiber organiser (ramp or flat)

Enables fiber and tube management, supports single fibre management

Tool-less opening and closing

Quick-and-easy installation

Use of ECAM: External Cable Assembly Module

Easy and fast addition of loop and drop cables, without disrupting already installed fiber and protecting the fiber organiser of any debris

Integrated sealing gasket

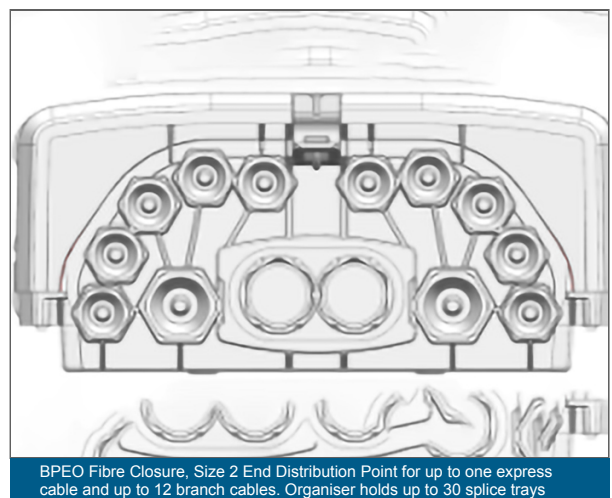
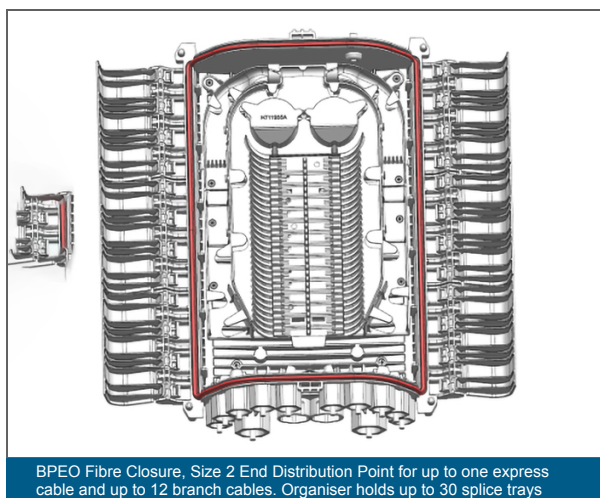
Ensures water tightness and remains functional even after several open/close operations

IP68 design

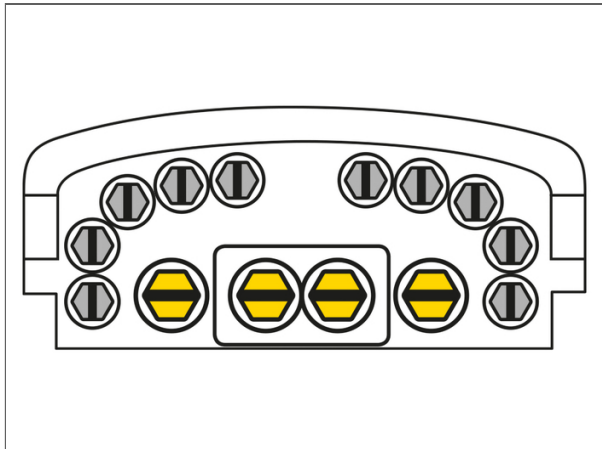
Reliable and watertight with an integrated valve for flash on-site testing

No special tools required for opening and closing

Quick and easy, labor saving



BPEO Fibre Closure Size 2 End Distribution Point for up to one express cable and up to 12 branch cables. Organiser holds up to 30 splice trays



BPEO Fibre Closure, Size 2 End Distribution Point for up to one express cable and up to 12 branch cables. Organiser holds up to 30 splice trays

Specifications

General Specifications	
Brand	BPEO
Application	Aerial / Manhole
Environment	Outdoor
Mounting Type	Pole / Wall / Strand mount
Product type	Splice Closure
Branching	Yes

Standards	
RoHS	Free of hazardous substances according to RoHS 2011/65/EU

Environmental Conditions	
Temperature range, operation	-40 °C to 65 °C

BPEO Fibre Closure Size 2 End Distribution Point for up to one express cable and up to 12 branch cables. Organiser holds up to 30 splice trays



Design	
Buffer storage	Installed
Closure shape	Canister
Closure type	Butt
Drop cable type	SST flat or round
Fibre Capacity	0
Fibre Type	Standard bend radius G652D
Input cable type	External cable assembly module (ECAM)
Main cable diameter	5-27 mm
Main cable oval port count	1
Max number of trays	30
Maximum splice fiber capacity	360/720
Number of Cable Entries	12
Number of distribution/drop cables ports	12
Number of ports - cut	1
Number of splice trays preloaded	0
Pigtail class	No Pigtail
Sealing type	Rubber Gasket
Splice tray capacity single fibre	12 to 24
Test valve	Included
Trays pre-installed	0
Number of single-fibre ports, SC APC connector	0
Number of pigtails	0

Ordering Information	
Product Number	B2-EDP-0000-000-000-0000
Package contents	BPEO Closure, all ports sealed with proper plugs, equipped with a 30 slots organizer and pressure valve. The anchoring brackets (wall-mount or pole), Cable Entries and Trays have to be ordered apart this closure.
Units per delivery	1/1

BPEO Fibre Closure Size 2 End Distribution Point for up to one express cable and up to 12 branch cables. Organiser holds up to 30 splice trays



Ordering Information

Shipping Width

520 mm



Corning Optical Communications GmbH & Co. KG • Leipziger Strasse 121 • 10117 Berlin, Germany
+00 800 2675 4641 • FAX: • www.corning.com/opcomm/emea

A complete listing of the trademarks of Corning Optical Communications is available at www.corning.com/opcomm/emea/trademarks. Corning Optical Communications is ISO 9001 and ISO 14001 certified. © 2025 Corning Optical Communications. All rights reserved.