



Get Reale. Get Beale.

IA-1250

12 CHANNEL x 50W AMPLIFIER



The IA-1250 is a twelve channel audio distribution amp that can be configured for up to six stereo 4 Ω /8 Ω zones; six stereo 70/100V zones or three high powered bridged zones...in any combination of stereo 4 Ω /8 Ω , 8 Ω bridged and 70/100V zones at the same time! That's pretty good in itself...but there's a whole lot more...

Each zone can be controlled via IR or RS232 for ON/OFF, source select, volume/mute, treble/bass and left/right balance. The IA-1250 can be configured to automatically send RS232 zone status updates or respond to queries to confirm zone status and settings. Commands for volume, treble/bass and balance can be specific values or step commands depending upon the control application.

The IA-1250 Audio Bus IN can be selected by IR, RS232 or voltage trigger. The voltage trigger will switch a zone to the Audio Bus IN as long as there is voltage present on the zone Line/Bus Trigger IN. When the control voltage is cut, the zone will automatically switch back to the zone Line IN...great for momentary switching to an audio page on the Bus IN!

Each zone has a Mute Trigger IN that will mute zone audio when voltage is present on the Mute Trigger IN. When the voltage is cut, the zone audio output resumes.

Each zone has a 12VDC Status or Control OUT that can be used to activate a zone specific voltage controlled device or otherwise indicate zone ON/OFF status.

Each zone has a -20dB audio limiter to prevent incidental peaks from becoming irrevocable problems.

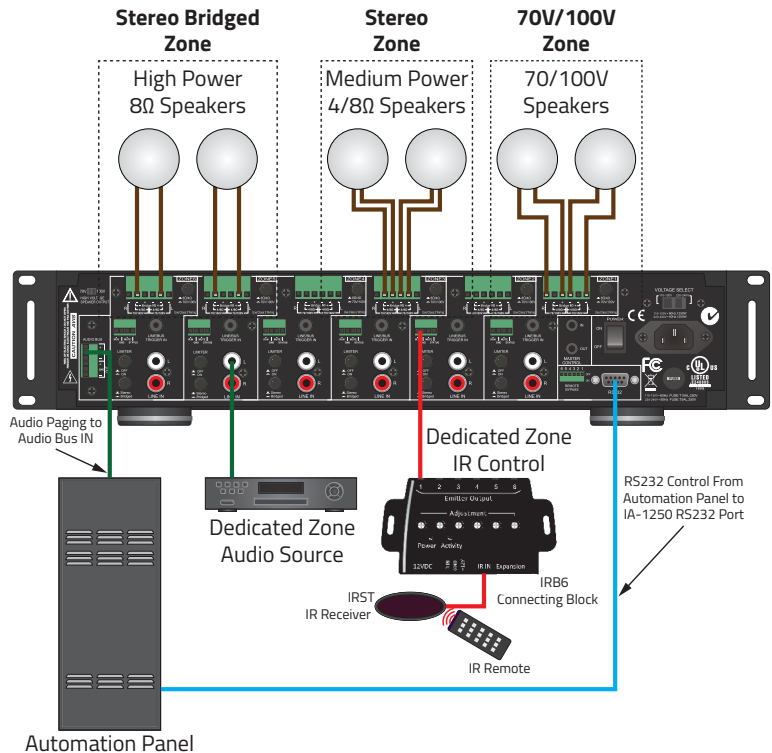
The IA-1250 features a Remote Bypass switch that allows/blocks IR and RS232 from select zones for zones that are intended to be set and not messed with.

The 110~120V/220~240V switch allows the IA-1250 to be used just about anywhere there is AC Voltage.

And what? Yes of course it's rack mountable...and comes with removable rack ears.

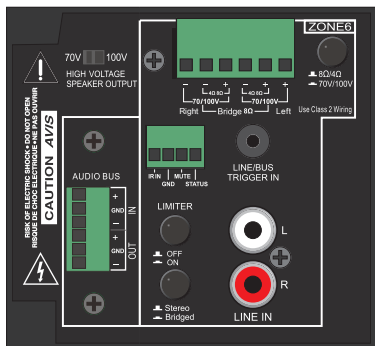
The IA-1250 12 channel x 50W audio distribution amp...ready for anything...anywhere.

TYPICAL IA-1250 SYSTEM APPLICATION



Typical System application for the IA-1250 audio distribution amplifier. The amp can be set for any combination of high-power bridged, normal 8Ω/4Ω or 70/100V zones. All zones can select local or Bus sources and can be controlled via IR or RS232.

ZONE/AUDIO BUS CONNECTIONS & SETTINGS

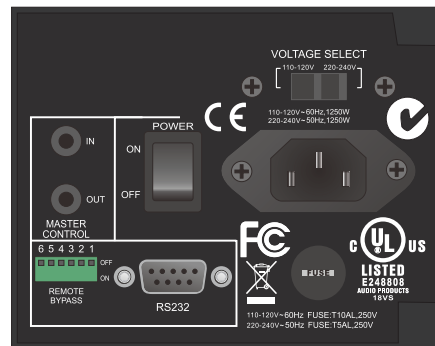


Each IA-1250 zone provides connections & settings for 4Ω/8Ω stereo, 8Ω bridged mono or 70V/100V stereo speaker configurations. Each zone also has a dedicated line level stereo audio IN, IR IN, 12VDC Mute IN and 12VDC Status OUT. The Audio Bus provides a mono line level IN/OUT for music or paging.

FEATURES

- 4Ω/8Ω, 8Ω bridged, 70V/100V configurable...each zone
- Local Source or Audio Bus IN...each zone
- IR/RS232 Control...each zone
- 20dB Audio Limiter...each zone
- 12VDC Mute Trigger IN; 12VDC Status OUT...each zone
- Front Panel Zone ON and Zone Overload LEDs...each zone
- 12VDC Global Control IN/OUT
- Rack Mountable
- 110/220V Switchable

POWER/CONTROL



The IA-1250 Voltage Select switch allows use in either 110 or 220VAC regions. The Master Control IN/OUT provides a 12VDC Control IN (ON/OFF) and common Status OUT. Remote Bypass locks selected zones from IR or RS232 control. The RS232 port provides bi-directional RS232 communication.

SPECIFICATIONS

- Continuous Output Power per Channel 30W@8Ω; 50W@4Ω
100W Bridged@8Ω
30W 70V/100V
- THD 0.1%
- Frequency Response 20Hz-20kHz +/- 1dB
- Signal to Noise 90dB A-Weighted 1kHz
- Input Sensitivity 600mV @30W
- Treble/Bass Controls +/- 12dB
- Line Voltage Range 100-240 VAC
- Dimensions.. 16.9"W x 3.5"H x 16.4" D (430 W x 88 H x 416 Dmm)
- Weight..... 48.4lbs (22kg)